

PressPack™ Skid Mounted Belt Press System



Plug & Play Dewatering Solution

The PressPack™ system is a self-contained, skid-mounted dewatering system. Skid mounting saves time and money during installation, and the system comes complete with a belt press, feed pump, Polyblend® polymer feed system, air compressor, booster pump and controls. An

integral drain pan is provided to allow all filtrate water to exit at a single location, and an operator platform along one side of the skid provides easy access to the gravity zone for observation and routine maintenance. All interconnecting wiring and piping are also provided.



Product Sheet

Low-Cost Installation

Installation of the system is straightforward; only a flat floor with a drain is required. The system is easily transported to the site on a flat bed truck and set in place. Power, water drain and sludge feed are connected to the skid. That's it – plug and play! An optional conveyor is available to transport the dewatered solids to a receiving bin or truck.

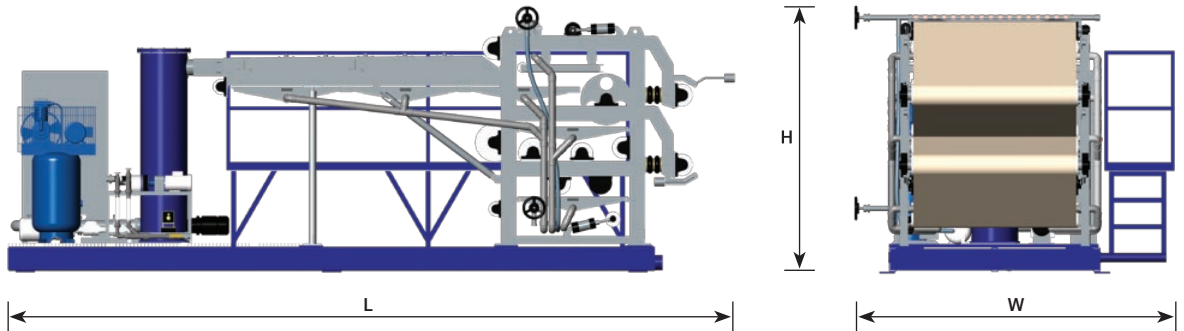
ISO 9001:2000 QMS

The quality management system governing the manufacturing of the PressPack™ system is ISO 9001:2000 certified.

Three Capacities

The PressPack™ system is available in press widths of 1.2, 1.6 and 2.0 meters, making it suitable for a wide range of small municipal and industrial applications. The optional discharge conveyor can be configured to suit the installation requirements, and the discharge height and location can be modified to suit. Distribution conveyors are also available to provide multiple discharge locations in a rolloff bin or truck.

MODEL	PressPack™ 1200	PressPack™ 1600	PressPack™ 2000
Effective Belt Width (mm)	1200	1600	2000
Overall length (in.)	305	305	305
Overall width (in.)	125	135	148
Overall height (in.)	115	115	115
Power Requirements (volts/amps)	480/60	480/60	480/60
Water Required (gpm)	50	65	80
Drain (gpm)	200	250	330
Estimated weight – dry (lbs.)	20,700	23,250	25,600
Estimated weight – operating (lbs.)	23,000	26,750	29,600



Siemens
Water Technologies

2155 112th Avenue
Holland, MI 49424

Tel: 616.772.9011
Fax: 616.772.4516

© 2009 Siemens Water Technologies Corp.
DW-PRSPK-PS-1109

Siemens reserves the right to change equipment/specifications, options and/or discontinue models and options at any time without notice or obligation.

PressPack and Polyblend are trademarks of Siemens, its subsidiaries or affiliates.

The information provided in this brochure contains merely general descriptions or characteristics of performance which in actual case of use do not always apply as described or which may change as a result of further development of the products. An obligation to provide the respective characteristics shall only exist if expressly agreed in the terms of contract.