



FlexDome™ Fine Bubble Membrane Diffuser

Water Technologies

SIEMENS

Introducing The FlexDome™ Air Diffuser

*ceramic
style dome diffuser*



The FlexDome™ fine bubble membrane diffuser was developed specifically as a ceramic dome diffuser replacement.

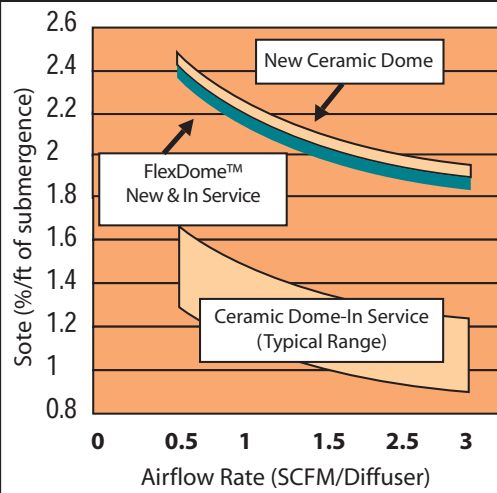
Your Choice For Retrofit

The FlexDome™ diffuser makes retrofit simple. Its innovative bolt-on design allows you to replace your ceramic dome media – keeping the rest of the piping systems in tact. No modifications required... a first in membrane diffuser engineering. In fact, complete installation of the FlexDome™ assembly actually takes less time than cleaning your existing ceramic dome system.

Your Choice For Less Maintenance

FlexDome™ membrane diffusers offer a dramatic decrease in required maintenance and downtime when compared to ceramic dome systems. The regular cleaning of ceramic dome diffusers involves the draining of aeration tanks, hose cleaning and spraying with dangerous acids or gases. The FlexDome™ diffuser with its smooth outer surface, uniform bubble distribution and continuous flexing of the membrane eliminates build-up of any type. Additionally, unlike with ceramic domes, the FlexDome™ diffuser's unique sealing action prevents seepage of water into headers as tanks are being filled, thus assuring a lifetime of efficient, maintenance free performance.

FlexDome™ Vs Ceramic Dome Comparison

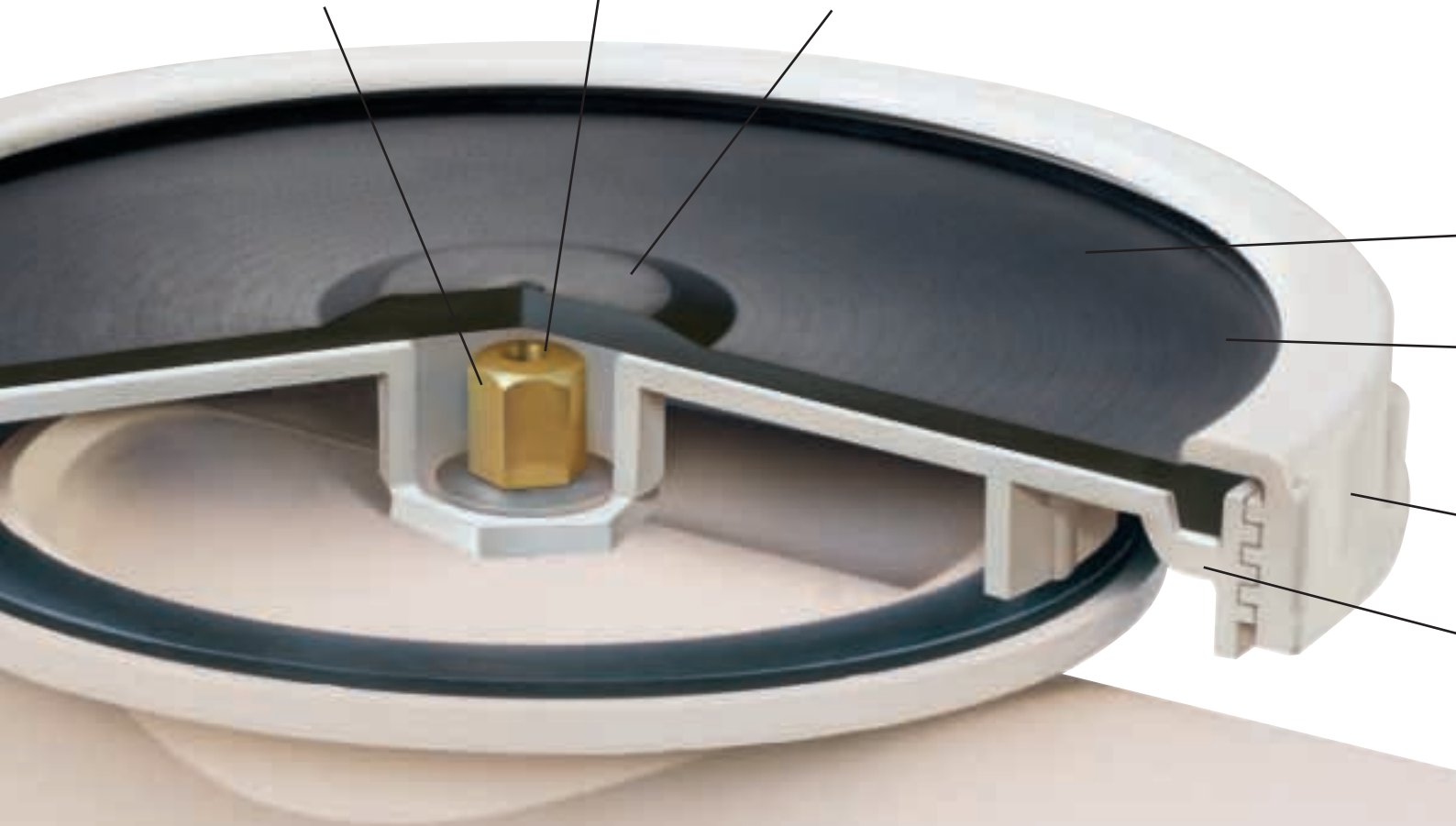


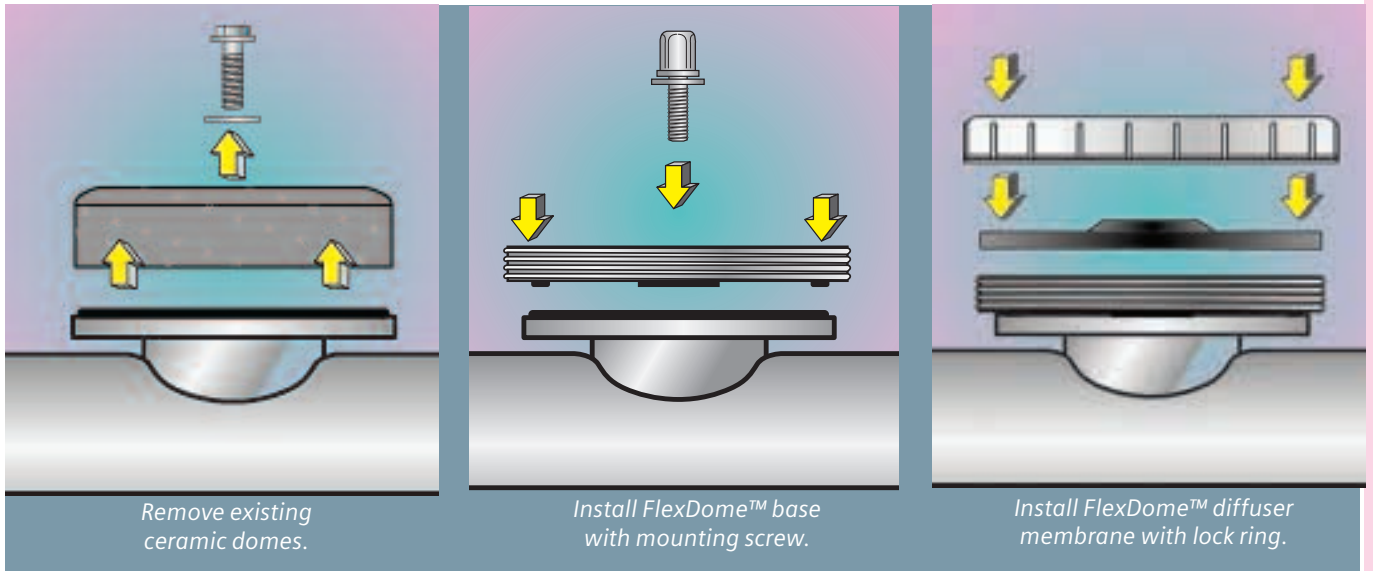
The chart above demonstrates that the excellent performance properties of FlexDome™ diffusers exceed in-service ceramic domes.

simple, quick, bolt-on replacement

orifice bolt sized for controlled airflow rate

thickened center prevents ballooning and tapered membrane guarantees equal, fine bubble distribution across entire surface





Installation is as simple as 1, 2, 3— entire removal and installation takes less than two minutes per dome!

Your Choice For Improved Performance

When compared to ceramic domes, the highly efficient FlexDome™ will cut your electric utility costs by 25% to 40% (See Comparison Chart). Ceramic dome diffusers with their rough surfaces and non-uniform air distribution encourage biogrowth which results in reduced oxygen transfer efficiency and plugging.

The higher oxygen transfer efficiencies maintained by FlexDome™ will improve effluent quality and permit greater process flows. For Ceramic Dome Replacement, The Choice Is Clear.

specially formulated and molded, EPDM compound has 100% rebound memory and will last 5 to 10 years, even at low airflow rates

precision perforated "I" slits resist tearing and stay cleaner, longer...open when airflow is present, closed when airflow is stopped

threaded lock ring is screwed down to hold the membrane firmly in place

environmentally resistant and durable base is constructed of molded polypropylene



Your One Source For Air Diffusers

Biggest Selection

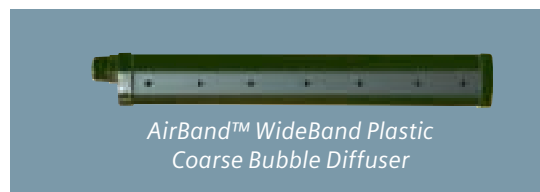
Siemens Water Technologies offers the most complete line of fine and coarse bubble, plastic, stainless steel and membrane air diffusers of any company in the industry. Our broad selection guarantees you'll find the right diffuser for your application.

Best Quality; Best Support

Our air diffusers are unsurpassed for efficiency, low cost and performance. We also offer full technical support to assist you with everything from air diffuser selection to complete aeration piping systems design.

Fastest Delivery

Most of our diffuser products are stocked and ready for immediate shipment. We'll also send FREE samples for your review. Our toll free order and service number guarantees fastest answers, fast product and no costly delays. For new or replacement air diffusers, just call your source!



FlexDome, WideBand, SED, FineAir, VariAir, AirBand, Snap-Cap, FlexLine, AirSeal, and FlexDisc are trademarks of Siemens, its subsidiaries or affiliates.

The information provided in this brochure contains merely general descriptions or characteristics of performance which in actual case of use do not always apply as described or which may change as a result of further development of the products. An obligation to provide the respective characteristics shall only exist if expressly agreed in the terms of contract.

Tel: 262.547.0141
Fax: 262.547.4120

EN-FLDOMEdr-BR-0409
Subject to change without prior notice.

©2009 Siemens Water Technologies Corp.