

304 Stainless Steel, Multi-Tube Filter Housing with Swing Bolt Closure

For Code F

This multi-tube cartridge filter housing is made of 18 gauge 304 stainless steel. Housings are available to accommodate 6, 10, 20, 30 or 40-in, Code F filter cartridges. The inlet and outlet are 2" NPT. There is a 1/2" NPT drain plug, and a 1/4" NPT vent at the top of the housing. A swing bolt closure allows quick disassembly for cleaning and service. This cartridge filter housing is ideal for a wide variety of high flow applications that require an economical, high quality housing.

- Uses 304 stainless steel construction for maximum corrosion resistance to deliver years of dependable service
- A swing bolt closure allows quick disassembly for cleaning and service
- An air vent plug on the cover allows venting before start-up
- This housing accommodates liquid flow rates up to 180 gpm (681 lpm) with operating pressures to 150 psig (10.3 bar)



FILTER HOUSING SPECIFICATIONS

Cartridge Housing	Housing Dimensions/Inches (cm)				Flange Opt. E	Max. Flow Rate*/gpm (lpm)
	A	B	C	D		
6-round 10"	24 (61)	11.2 (28)	5.2 (13)	10.2 (26)	15 (38)	30 (114)
6-round 20"	34 (86)	11.2 (28)	5.2 (13)	10.2 (26)	15 (38)	60 (227)
6-round 30"	45 (114)	11.2 (28)	5.2 (13)	10.2 (26)	15 (38)	90 (340)
6-round 40"	56 (142)	11.2 (28)	5.2 (13)	10.2 (26)	15 (38)	120 (454)

Materials

Head and Shell	304 Stainless Steel
Vent and Drain Plug	304 Stainless Steel
Seat Cups	316L Stainless Steel
O-Ring	Ethylene Propylene

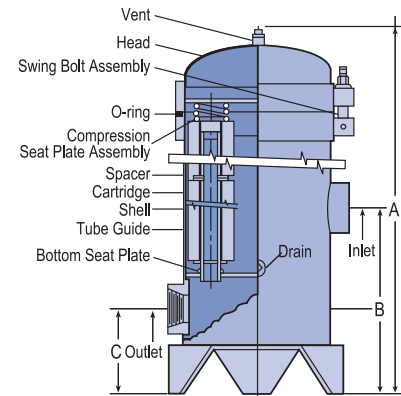
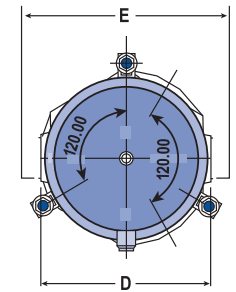
Operating Parameters

Maximum Operating Pressure	150 psi (10.3 bar) @ 200°F (93°C)
Max Water Flow Rate*	120 gpm (454 Lpm)

*Housing rating only, cartridge length and type will effect maximum flow rates

ORDERING INFORMATION

Catalog Number	Description	Inlet/Outlet
ZHGAF0610	6-round 10"	2" NPT
ZHGAF0620	6-round 20"	2" NPT
ZHGAF0630	6-round 30"	2" NPT
ZHGAF0640	6-round 40"	2" NPT
ZHGAF0610F	6-round 10"	2" flange
ZHGAF0620F	6-round 20"	2" flange
ZHGAF0630F	6-round 30"	2" flange
ZHGAF0640F	6-round 40"	2" flange
B10020279	Spare Housing O-ring	



HOUSING PRESSURE DROP vs. LIQUID FLOW RATE

