

316 Stainless Steel, Multi-Tube Filter Housing

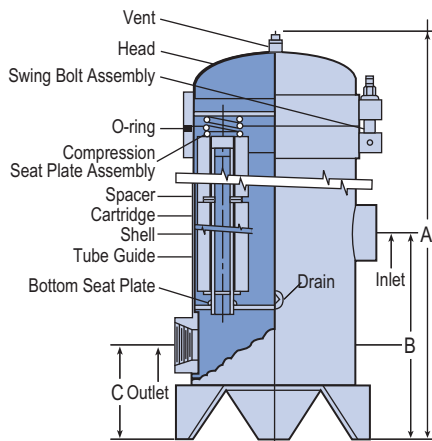
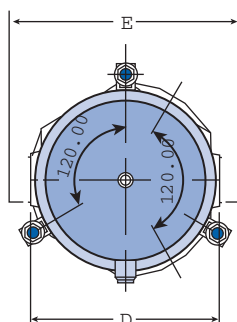
For Code F

This multi-tube cartridge filter housing is made of 316 stainless steel, and is suited for general-purpose industrial and commercial filtration. These housings can accommodate Code F (DOE) or Code O cartridges, and are available with 6, 12, and 21 tubes in 10, 20, 30, 40-inch lengths.

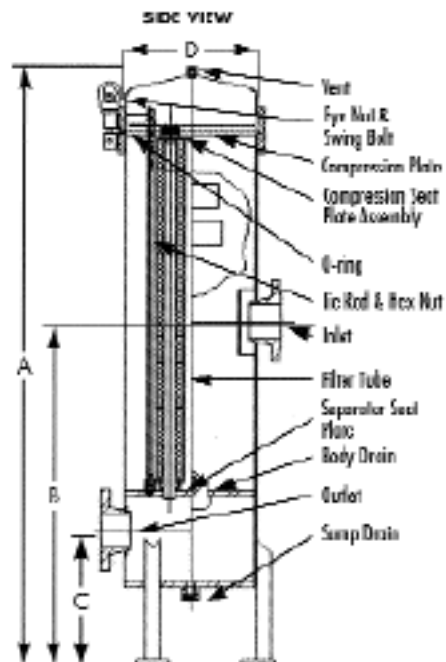
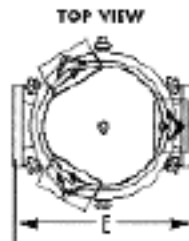
- Incorporates a flow baffle, which deflects incoming flow to prevent cartridge erosion.
- An air vent on the cover allows venting before start-up.
- A swing bolt closure allows quick disassembly for cleaning and cartridge replacement



6-ROUND DIMENSIONS



12- AND 21-ROUND DIMENSIONS



USFilter

24-hr Customer Service: (800) 466-7873

316 Stainless Steel, Multi-Tube Filter Housing

For Code F

AFILTER HOUSING SPECIFICATIONS

Dimensions (inches (cm))	Inlet/Outlet	Housing Dimensions				Flange Option E	Max. Flow Rate*/gpm (lpm)
		A	B	C	D		
6-round 10"	2 NPTM (5.1)	24 (61)	11.2 (28)	5.2 (13)	10.2 (26)	15 (38)	30 (114)
6-round 20"	2 NPTM (5.1)	34 (86)	11.2 (28)	5.2 (13)	10.2 (26)	15 (38)	60 (227)
6-round 30"	2 NPTM (5.1)	45 (114)	11.2 (28)	5.2 (13)	10.2 (26)	15 (38)	90 (340)
6-round 40"	2 NPTM (5.1)	56 (142)	11.2 (28)	5.2 (13)	10.2 (26)	15 (38)	120 (454)
12-round 30"	3 flange (7.6)	56 (142)	31 (79)	12 (30)	12 (30)	16.4 (42)	180 (680)
12-round 40"	3 flange (7.6)	66 (168)	31 (79)	12 (30)	12 (30)	16.4 (42)	240 (908)
21-round 30"	4 flange (10.16)	57 (145)	31 (79)	12 (30)	16 (41)	20.8 (53)	315 (1190)
21-round 40"	4 flange (10.16)	67 (170)	31 (79)	12 (30)	16 (41)	20.8 (53)	420 (1560)

Materials

Head, Shell, Plugs . . .	316L Stainless Steel
Internals	316 Stainless Steel
Cover O-Ring	EDPM

Maximum Operating Pressure

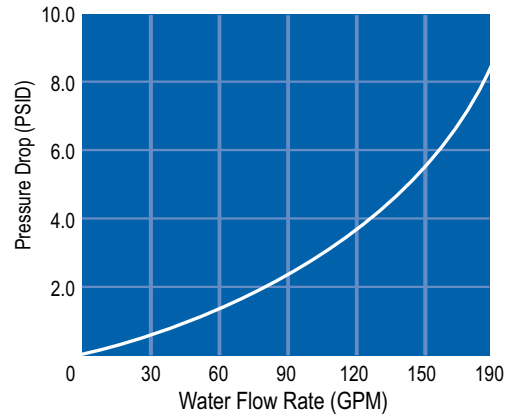
6-Round	150 psi (10.3 bar) @ 200°F (93°C)
12-Round	150 psi (10.3 bar) @ 200°F (93°C)
21-Round	150 psi (10.3 bar) @ 200°F (93°C)

ORDERING INFORMATION

Catalog Number	Description	Inlet/Outlet
ZHGOF0610	6-round 10"	2" NPT
ZHGOF0620	6-round 20"	2" NPT
ZHGOF0630	6-round 30"	2" NPT
ZHGOF0640	6-round 40"	2" NPT
ZHGOF0610F	6-round 10"	2" flange
ZHGOF0620F	6-round 20"	2" flange
ZHGOF0630F	6-round 30"	2" flange
ZHGOF0640F	6-round 40"	2" flange
ZHFFI1230	12-round 30"	3" flange
ZHFFI1240	12-round 40"	3" flange
ZHFFI2130	21-round 30"	4" flange
ZHFFI2140	21-round 40"	4" flange

*Housing rating only, cartridge length and type will effect maximum flow rates

HOUSING PRESSURE DROP vs. LIQUID FLOW RATE



HOUSING PRESSURE DROP vs. LIQUID FLOW RATE

