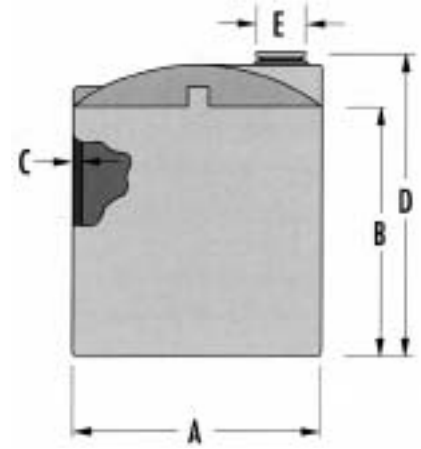


Storage, Polyethylene, Flat-bottom, Domed Top

Siemens flat bottom polyethylene storage tank (55 to 6,500 gallons) has a closed cover design with a siphon valve fitting at the tank bottom for maximum drainage. The seamless one piece construction is fabricated from FDA approved virgin high density polyethylene.

- Each tank includes seven factory installed polyethylene half coupling fittings welded and tapered into the tank wall
- Fume tight gasketed handway or manway is mounted on the top of the closed tank to provide access to the interior
- 3-position level controller, hydrophobic vent filter, nitrogen blanket system and vacuum/pressure relief valve optional



SYSTEM SPECIFICATIONS*

Catalog Number

	TPFC00055	TPFC00110	TPFC00165	TPFC00220	TPFC00300	TPFC00500	TPFC00750	TPFC01000
Tank Volume (gallons)	55	110	165	220	300	500	750	1000
Construction Materials	Virgin, high-density polyethylene that is FDA approved							
Maximum Service Temp	Rated to 160°F (70°C)							
<i>System Dimensions</i>								
D x H (inches)	20x38	35x36	31x58	35x63	35x81	46x76	46x119	64x81
Wall Thickness	3/16"	3/16"	3/16"	3/16"	3/16"	1/4"	1/4"	1/4"
<i>Shipping Weight</i>								
Industrial (lbs.)	25	45	50	70	90	120	200	220
<i>Fittings (factory installed)</i>								
Fill Fitting	one-1"NPTF	one-1"NPTF	one-1.5"NPTF	one-1.5"NPTF	one-2"NPTF	one-2"NPTF	one-2"NPTF	one-2"NPTF
Return Fitting	one-1"NPTF	one-1"NPTF	one-1.5"NPTF	one-1.5"NPTF	one-2"NPTF	one-2"NPTF	one-2"NPTF	one-2"NPTF
Overflow Fitting	one-1"NPTF	one-1"NPTF	one-1.5"NPTF	one-1.5"NPTF	one-2"NPTF	one-2"NPTF	one-2"NPTF	one-2"NPTF
Outlet Fitting	one-1"NPTF	one-1"NPTF	one-1.5"NPTF	one-1.5"NPTF	one-2"NPTF	one-2"NPTF	one-2"NPTF	one-2"NPTF
Vent Fitting	one-1"NPTF	one-1"NPTF	one-1"NPTF	one-1"NPTF	one-1"NPTF	one-1"NPTF	one-1"NPTF	one-1"NPTF
Level/Sight Fittings	two-.5" NPTF	two-.5" NPTF	two-.5" NPTF	two-.5" NPTF	two-.5" NPTF	two-.5" NPTF	two-.5" NPTF	two-.5" NPTF
Handway	one-8"	one-5"	one-8"	one-5"	one-16"	one-16"	one-16"	one-16"

Catalog Number

	TPFC01500	TPFC02000	TPFC02500	TPFC03000	TPFC03600	TPFC04000	TPFC05000	TPFC06500
Tank Volume (gallons)	1500	2000	2500	3000	3600	4000	5000	6500
Construction Materials	Virgin, high-density polyethylene that is FDA approved							
Maximum Service Temp	Rated to 160°F (70°C)							
<i>System Dimensions</i>								
D x H (inches)	64x121	64x144	95x89	95x105	86x156	95x140	120x151	120x144
Wall Thickness	3/8"	3/8"	3/8"	7/8"	7/8"	1/2"	1/2"	7/8"
<i>Shipping Weight</i>								
Industrial (lbs.)	365	525	550	660	1050	1100	1400	1600
<i>Fittings (factory installed)</i>								
Fill Fitting	one-2"NPTF	one-2"NPTF	one-2"NPTF	one-2"NPTF	one-2"NPTF	one-2"NPTF	one-2"NPTF	one-2"NPTF
Return Fitting	one-2"NPTF	one-2"NPTF	one-2"NPTF	one-2"NPTF	one-2"NPTF	one-2"NPTF	one-2"NPTF	one-2"NPTF
Overflow Fitting	one-2"NPTF	one-2"NPTF	one-2"NPTF	one-2"NPTF	one-2"NPTF	one-2"NPTF	one-2"NPTF	one-2"NPTF
Outlet Fitting	one-2"NPTF	one-2"NPTF	one-2"NPTF	one-3"NPTF	one-3"NPTF	one-3"NPTF	one-3"NPTF	one-3"NPTF
Vent Fitting	one-1"NPTF	one-1"NPTF	one-1"NPTF	one-1.5"NPTF	one-1.5"NPTF	one-1.5"NPTF	one-1.5"NPTF	one-1.5"NPTF
Level/Sight Fittings	two-.5" NPTF	two-.5" NPTF	two-.5" NPTF	two-.5" NPTF	two-.5" NPTF	two-.5" NPTF	two-.5" NPTF	two-.5" NPTF
Handway	one-8"	one-16"	one-16"	one-16"	one-16"	one-16"	one-16"	one-16"

*Please contact Technical Support to obtain a drawing with exact fitting locations