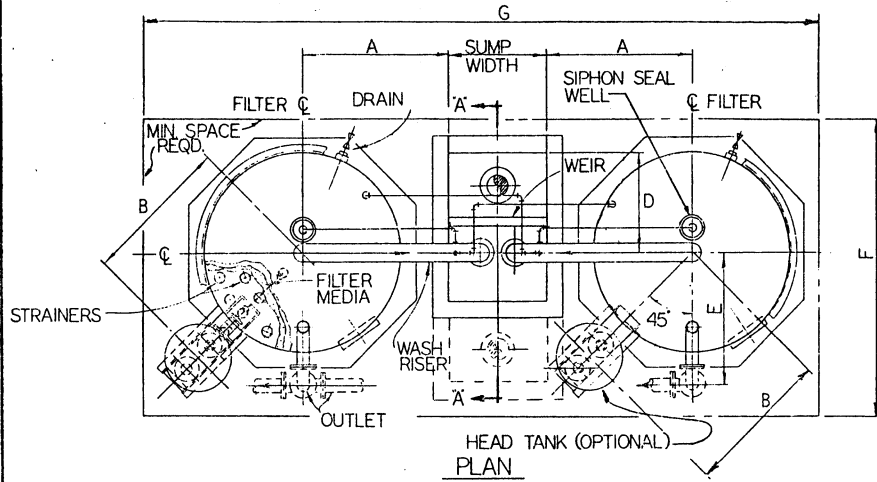
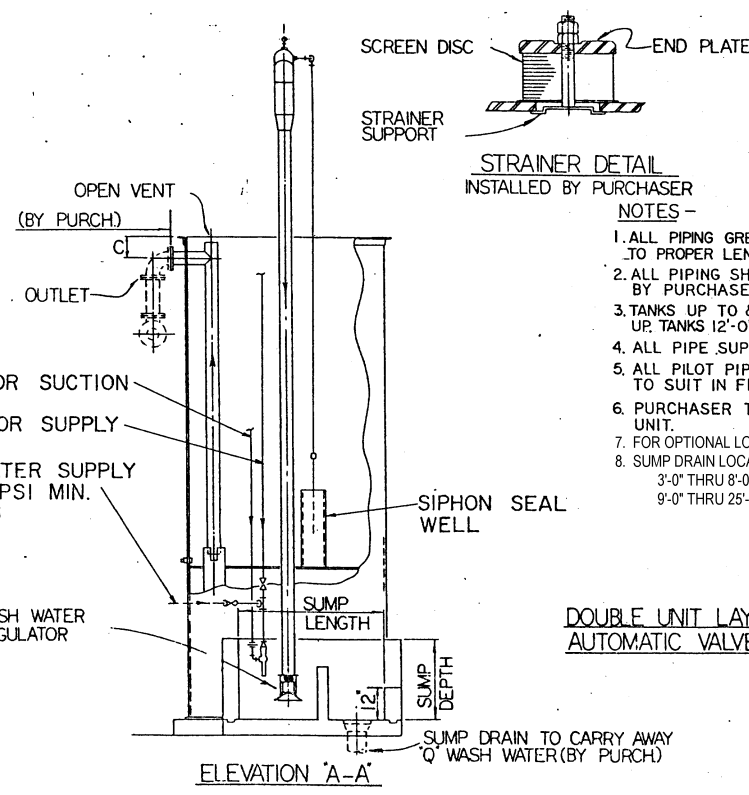
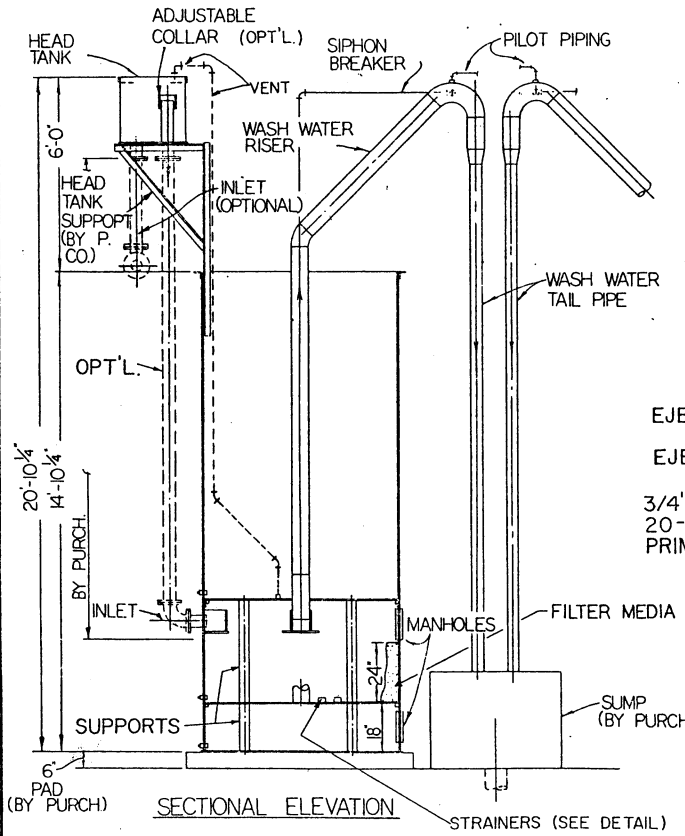


185-16802



FILTER TANK INSIDE DIA.	INLET & OUTLET PIPE SIZE	SUMP			DRAIN PIPE SIZE	WASH WATER	A	B	C	D	E	F	G	WEIGHT (LBS.)	
		WIDTH	LENGTH	DEPTH										SHIPPING	OPERATING
3'-0"	2"	3'-0"	4'-6"	2'-0"	6"	147	3'-4"	2'-10 3/16"	8"	3'-7"	2'-10 3/16"	7'-3"	16'-0"	2,600	9,900
4'-0"	2 1/2"	3'-0"	4'-6"	2'-0"	8"	263	4'-0"	3'-5 1/16"	8"	3'-0"	3'-5 1/16"	8'-2"	18'-2"	3,500	16,500
5'-0"	3"	3'-0"	4'-6"	2'-0"	8"	412	4'-6"	3'-11 3/16"	8"	3'-0"	3'-11 3/16"	8'-7"	20'-0"	4,400	24,700
6'-0"	4"	3'-0"	4'-6"	2'-6"	10"	594	4'-5 1/2"	4'-6 3/16"	8"	3'-0"	4'-6 3/16"	9'-0"	20'-11"	5,400	34,600
7'-0"	4"	3'-0"	4'-6"	2'-6"	10"	809	4'-11 1/2"	5'-0 9/16"	8"	3'-0"	4'-6 3/16"	9'-10"	22'-9"	6,300	45,900
8'-0"	6"	3'-0"	4'-6"	2'-6"	12"	1,056	5'-6"	5'-9 1/16"	10"	3'-0"	5'-2 1/16"	10'-10"	24'-10"	7,300	58,500
9'-0"	6"	3'-0"	4'-6"	2'-6"	12"	1,336	6'-0 1/2"	6'-3 1/16"	10"	15"	5'-8 1/16"	11'-10"	26'-11"	8,500	73,800
10'-0"	6"	3'-0"	5'-0"	2'-6"	14"	1,649	6'-6 1/2"	6'-9 1/16"	12"	18"	6'-2 1/16"	12'-8"	28'-9"	9,700	91,900
11'-0"	8"	3'-0"	5'-0"	2'-6"	14"	1,995	7'-1 1/2"	7'-2 1/16"	12"	18"	6'-9 1/16"	13'-9"	31'-0"	11,200	109,200
12'-0"	8"	3'-0"	5'-0"	2'-6"	14"	2,373	7'-7 1/2"	7'-11 1/16"	12"	18"	7'-3 1/16"	14'-7"	32'-10"	12,200	129,500
13'-0"	8"	3'-6"	5'-0"	3'-0"	15"	2,787	8'-1 1/2"	8'-5 1/16"	12"	18"	7'-9 1/16"	15'-6"	35'-3"	13,700	143,000
14'-0"	8"	5'-0"	5'-2"	3'-0"	16"	3,232	8'-10 1/2"	9'-0 1/16"	12"	18"	8'-3 1/16"	16'-8"	39'-5"	15,100	173,600
15'-0"	10"	5'-0"	5'-2"	3'-0"	18"	3,711	9'-4 1/2"	9'-8 3/16"	12"	18"	8'-11 1/16"	17'-8"	41'-5"	16,100	199,300
16'-0"	10"	5'-0"	6'-0"	3'-6"	18"	4,223	9'-10 1/2"	10'-2 3/16"	12"	18"	9'-5 1/16"	18'-6"	43'-3"	17,300	215,000
18'-0"	10"	5'-0"	7'-0"	3'-6"	20"	5,345	10'-10 1/2"	11'-3 3/16"	12"	22"	10'-5 1/16"	20'-6"	47'-3"	21,200	267,100
20'-0"	12"	5'-0"	7'-0"	3'-6"	24"	6,598	11'-10 1/2"	12'-5 3/16"	13"	22"	11'-6 1/16"	22'-4"	51'-1"	25,200	328,900
22'-0"	12"	5'-0"	8'-0"	4'-0"	24"	7,982	13'-1 1/2"	13'-5 3/16"	13"	2'-5"	12'-6 1/16"	23'-10"	55'-1"	29,000	405,300
25'-0"	14"	6'-0"	9'-0"	4'-6"	30"	10,300	14'-8 1/2"	15'-6 1/2"	14"	2'-6 1/2"	14'-2 3/16"	26'-11"	62'-4"	34,500	522,000



STRAINER DETAIL
INSTALLED BY PURCHASER

- NOTES -
1. ALL PIPING GREATER THAN 3" FURNISHED BY PERMUTIT CO. CUT TO PROPER LENGTH FOR FIELD WELDING BY OTHERS.
 2. ALL PIPING SHOWN DOTTED TO BE FURNISHED BY PURCHASER.
 3. TANKS UP TO & INCL. 11'-0" I.D. TO BE SHIPPED SET UP. TANKS 12'-0" & OVER ARE SHIPPED UNASSEMBLED.
 4. ALL PIPE SUPPORTS BY PURCHASER.
 5. ALL PILOT PIPING BY PERMUTIT CO. & TO BE CUT TO SUIT IN FIELD BY PURCHASER.
 6. PURCHASER TO PROVIDE MEANS FOR ISOLATING UNIT.
 7. FOR OPTIONAL LOOP SEAL TANK ASSY. SEE DWG. 185-21942.
 8. SUMP DRAIN LOCATIONS:
3'-0" THRU 8'-0" AS SHOWN (SOLID)
9'-0" THRU 25'-0" (DASHED)

DOUBLE UNIT LAYOUT OF INDUSTRIAL TYPE
AUTOMATIC VALVELESS GRAVITY FILTERS.

REV	BY	DATE	REVISIONS
-	FDG	5/27/74	ECN 3400 AC
A	TS	5/17/78	ECN 3400 BC
B	RZ	5/17/78	ECN 3400 BD
C	RZ	2/3/80	ECN 3400 BF

USFILTER

SCALE: 1/8" = 1'-0"
DATE: 12-11-73 185-16802

DRAWN BY: FDG
CHECKED BY:

NOTE: DO NOT SCALE THIS DRAWING.
USE DIMENSIONS ONLY.

UNLESS OTHERWISE SPECIFIED THE PERMUTIT COMPANY SUPPLIES only the water purification units proper, and does not furnish any labor or materials for erection, assembly, field or wood construction, or alterations, to existing structures.

UNLESS OTHERWISE SPECIFIED THE PURCHASER SUPPLIES labor and materials for all foundations, supports, platforms, ladders, etc., electric tanks, water pumps, motors, electrical connections, piping up to the inlet and from the outlet of the water purification plant proper, brisquet connections, tanks and drains, and all piping shown shaded on this drawing.

UNLESS OTHERWISE SPECIFIED all pressures shown in this plant are designed for maximum working pressure of 80 lbs. per square inch.