

Air Dryer (Drum Dryer)

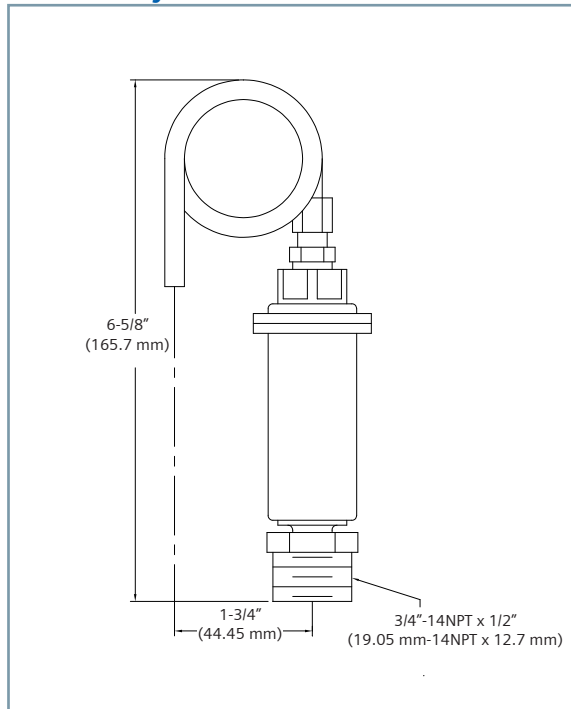
General Description

Air Dryer (Drum Dryer) is a moisture prevention device (desiccator) for use with vertically or horizontally positioned PolyBlend® polymer drums. The desiccator prevents moisture laden air from entering the vent of the polymer drum which can condense at night and contaminate water sensitive polymer.

The "Drum Dryer" consists of a 3/4" (19.05mm) NPT bushing for threading into the drum vent, clear-view desiccator and stainless steel tube coil to prevent water from inadvertently entering the vent. The "Drum Dryer" is shipped preassembled, ready for simple installation. Silica gel in a clear plastic housing changes color when you need to replace the dryer.



General Layout



Siemens
Water Technologies

Germany
+49 8221 9040
wtger.water@siemens.com

United Kingdom
+44 1732 771777
wtuk.water@siemens.com

USA
+1 800 245 3006
dewatering.water@siemens.com

PolyBlend is a trademark of Siemens, its subsidiaries or affiliates.

The information provided in this literature contains merely general descriptions or characteristics of performance which in actual case of use do not always apply as described or which may change as a result of further development of the products. An obligation to provide the respective characteristics shall only exist if expressly agreed in the terms of the contract.

©2008 Siemens Water Technologies Corp.
Literature No.: EP.480.361.PAD.IE.DS.1108
Subject to change without prior notice.

Data Sheet