

DrumStik® 55 Gallon Drum Adapter

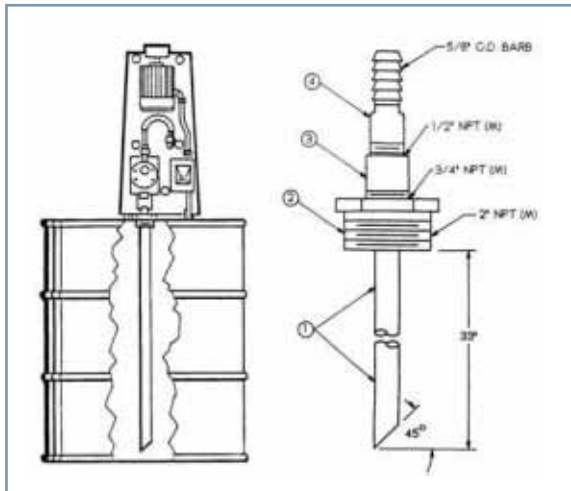
General Description

Designed for quick and easy installation, the DrumStik® adapter greatly simplifies the connection of a new 55-gallon (208.2 L) drum of emulsion polymer to the PolyBlend® unit. This device eliminates the need for hand feeding a length of tubing into the drum and ensures maximum evacuation of the drum's contents. The DrumStik® adapter is designed for either a 2" (50.8mm) NPT bung hole connection or a 3/4" (19.05mm) NPT vent hole connection. Simply remove the 2" (50.8mm) x 3/4" (19.05mm) reducer bushing if installing in the 3/4" (19.05mm) NPT vent hole connection. The DrumStik® adapter is merely inserted in the appropriate drum hole and threaded hand-tight. A barbed connector at the top of the DrumStik® adapter is sized to accept the 5/8" (13.33mm) ID tubing from the PolyBlend® unit's diaphragm pump.

Use of the DrumStik® adapter also virtually eliminates the need for re-priming the pump when changing drums.



General Layout



Part Number Descriptions

Part No.	Item	Description	Quantity
RM6600061	1	Pipe, 1/2" (12.7mm) x 34" (863.6 lg)	1
1930027	2	Bushing, 2" (50.8mm) x 3/4" (19.05mm), T x T	1
1048002	3	Adapter, 3/4" (19.05mm) x 1/2" (12.7mm), TxT	1
2737466	4	Tube Fitting, 5/8" (13.33mm), OD Bard	1

Data Sheet

Siemens
Water Technologies

Germany
+49 8221 9040
wtger.water@siemens.com

United Kingdom
+44 1732 771777
wtuk.water@siemens.com

USA
+1 800 245 3006
dewatering.water@siemens.com

© 2008 Siemens Water Technologies Corp.
Literature No.: EP.480.363.PCC.IE.DS.1108
Subject to change without prior notice.

PolyBlend and DrumStik are trademarks of Siemens, its subsidiaries or affiliates.

The information provided in this literature contains merely general descriptions or characteristics of performance which in actual case of use do not always apply as described or which may change as a result of further development of the products. An obligation to provide the respective characteristics shall only exist if expressly agreed in the terms of the contract.