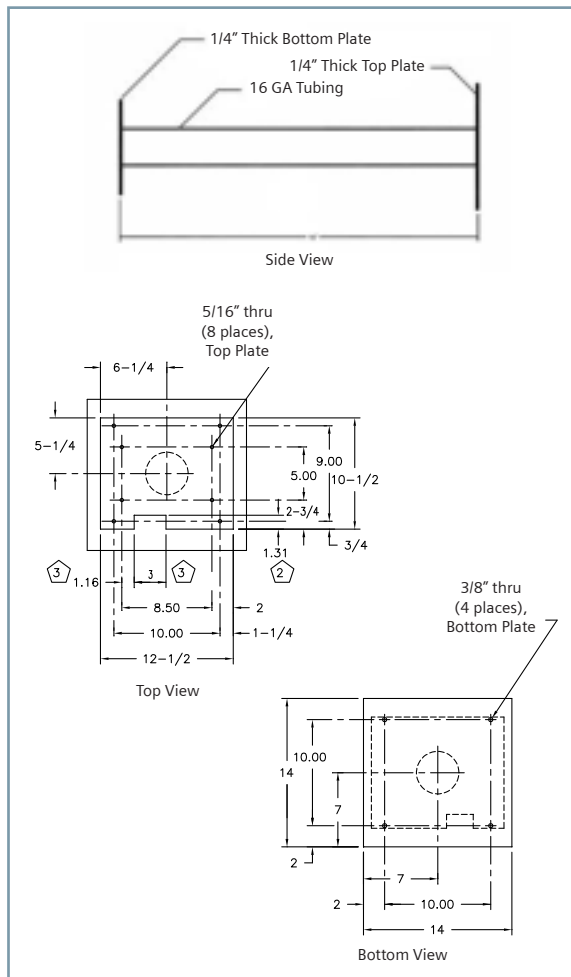


PolyBlend® Pedestal

General Description

Sturdy support for PolyBlend® Models 16, 50, 100, 200, 600 and 1000. The PolyBlend® pedestal is constructed of 304 stainless steel with a polished 4" column. The pedestal is specifically designed for 55 gallon drums, but will work with Tote-Bins or Bulk Storage Tanks as well. Optional 316 stainless steel available.

General Layout



Siemens
Water Technologies

Germany
+49 8221 9040
wtger.water@siemens.com

United Kingdom
+44 1732 771777
wtuk.water@siemens.com

USA
+1 800 245 3006
dewatering.water@siemens.com

PolyBlend is a trademark of Siemens, its subsidiaries or affiliates. .

The information provided in this literature contains merely general descriptions or characteristics of performance which in actual case of use do not always apply as described or which may change as a result of further development of the products. An obligation to provide the respective characteristics shall only exist if expressly agreed in the terms of the contract.

©2008 Siemens Water Technologies Corp.
Literature No.: EP.480.365.PPO.IE.DS.1108
Subject to change without prior notice.

Data Sheet

Water Technologies

SIEMENS