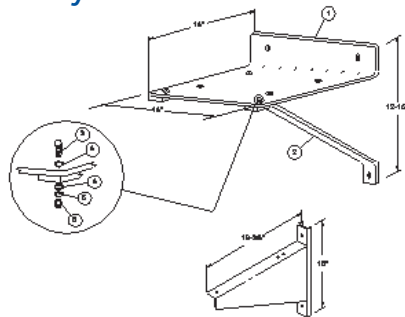


# Wall Mount Shelf Wall Brackets

## General Description

To save valuable floor space and position your PolyBlend® polymer feed unit at a convenient working height, both a handy wall-mount shelf or versatile set of wall brackets are available. The 14" (355.6mm) x 14" (355.6mm) shelf, supported by two sturdy brackets, is suitable for any PolyBlend® polymer feed unit PB 100, 200, 600, or 1000 Series unit with diaphragm pump. The wall brackets extend 19¾" (501.65mm) from the wall and are drilled at appropriate intervals to permit mounting of any standard PolyBlend® polymer feed unit model.

## General Layout

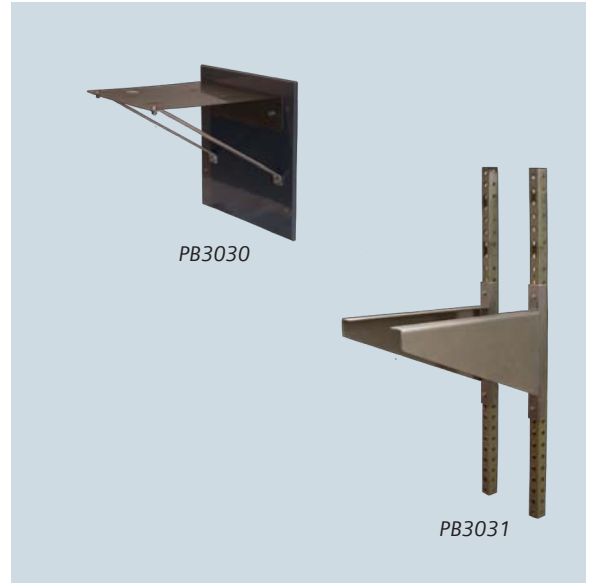


## Order #PB3030

Item No.	Part No.	Description	Qty.
1	1693013	Shelf	1
2	1693105	Shelf Bracket	2
3	1602312	Bolt	2
4	9742300	Washer	4
5	9742330	Lockwasher	2
6	6020235	Nut	2
7	160324	Bolt	4

## Order #PB3030

Item No.	Part No.	Description	Qty.
1	1693011	Right Side Bracket	1
2	1693012	Left Side Bracket	1



Siemens  
Water Technologies

Germany  
+49 8221 9040  
wtger.water@siemens.com

United Kingdom  
+44 1732 771777  
wtuk.water@siemens.com

USA  
+1 800 245 3006  
dewatering.water@siemens.com

PolyBlend is a trademark of Siemens, its subsidiaries or affiliates.

The information provided in this literature contains merely general descriptions or characteristics of performance which in actual case of use do not always apply as described or which may change as a result of further development of the products. An obligation to provide the respective characteristics shall only exist if expressly agreed in the terms of the contract.

©2008 Siemens Water Technologies Corp.  
Literature No.: EP.480.367.PW0.IE.DS.1108  
Subject to change without prior notice.

## Data Sheet