

Strantrol® Controller Accessories

Flow Sensor

General Description

The Strantrol® Impact Aquatic Management System is capable of monitoring and backwashing based upon the flow rate and/or flow volume. The flow sensor can be used for pipes ranging from 101.6 mm (4") to 203.2 mm (8"). The length of the flow sensor depends on the pipe size. The flow sensor is housed in a polypropylene body with a 32 mm (1-1/4") x 292 mm (11-1/2") NPSM threaded cap and mounts onto a cast iron saddle clamp.

Specifications

- Polypropylene rotor
- Polypropylene body
- 10.3 bar (150 psi) max pressure
- Cast Iron Saddle
- 635 mm(25 ft) cable
- 4-24 VDC Supply Voltage
- Open Collector transistor
- Output type
- Viton® O-Rings
- Manufactured under ISO 9001

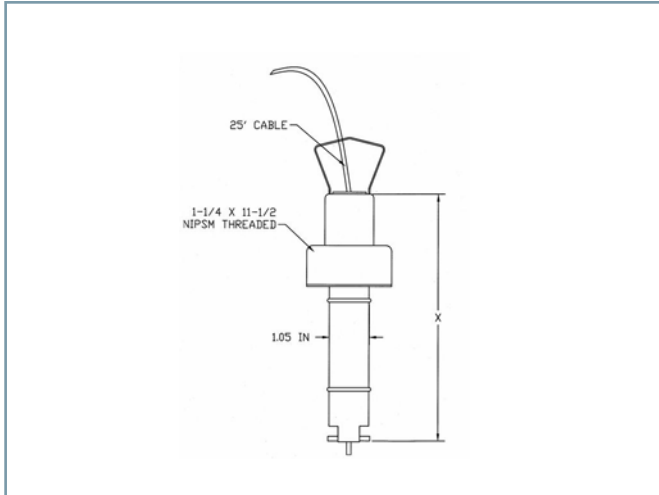


Data Sheet

Water Technologies

SIEMENS

General Layout



Dimensions

Part No.	Length		Pipe Size	
	mm	in	mm	in
K7821008	104.1	4.1	101.6	4
K7821001	137.2	5.4	152.4	6
K7821002	137.2	5.4	203.2	8
K7821003	213.4	8.4	254	10
K7821004	213.4	8.4	304.8	12
K7821005	213.4	8.4	355.6	14
K7821006	213.4	8.4	406.4	16

Siemens
Water Technologies

Germany
+49 8221 9040
wtger.water@siemens.com

United Kingdom
+44 1732 771777
wtuk.water@siemens.com

USA
+1 800 809 0971
stranco.water@siemens.com

© 2008 Siemens Water Technologies Corp.
Literature No.: ST.040.830.004.IE.DS.1208
Subject to change without prior notice.

Strantrol is a trademark of Siemens, its subsidiaries or affiliates. ISO is a trademark of the International Organization for Standardization. Viton is a trademark of DuPont Performance Elastomers LLC

The information provided in this literature contains merely general descriptions or characteristics of performance which in actual case of use do not always apply as described or which may change as a result of further development of the products. An obligation to provide the respective characteristics shall only exist if expressly agreed in the terms of the contract.