

G-Series High Volume Chemical Feed Skids

General Description

The G-Series high volume skid is a line of chemical feed packages designed for heavy-duty industrial use. Standard configurations include all stainless steel construction with wash-down duty motors and NEMA 4X controllers. The wetted parts consist of 316 SS, Teflon®, and carbon graphite. Other special materials available upon request include Alloy C, Alloy 20, Peek, and ceramic. The pump mechanical seal consists of silicone carbide and Teflon or a broad range of chemical compatibility.

There are five basic models which range from 0 -83.3 lpm (0 - 22 gpm). Other ranges are available upon request. A NEMA 4X SCR with external 4-20 mA output drives a wash-down duty 90 or 180 VDC motor. A relief bypass system protects the pump and motor from over-pressurized injection points. A calibration cylinder assembly is standard on all Siemens Water Technologies high volume metering skids.

Specifications

Power	115-230 VAC / 60 Hz / 1 Ph
Output range	0 - 1.9 lpm (0 to 0.5 gpm) 0.6 -5.7 lpm (0.15 to 1.5 gpm) 1.1 - 11.4 lpm (0.3 to 3.0 gpm) 3.8 -37.6 lpm (1.0 to 10.0 gpm) 8.3 - 83.3 lpm (2.2 to 22 gpm)
Wetted materials	Stainless Steel, Teflon®, Carbon Graphite
Connections	25.4 mm (1") (F)npt
Dimensions (H x W x D)	973.1 x 355.6 x 768.4 (38-5/16" x 14" x 30-1/4")

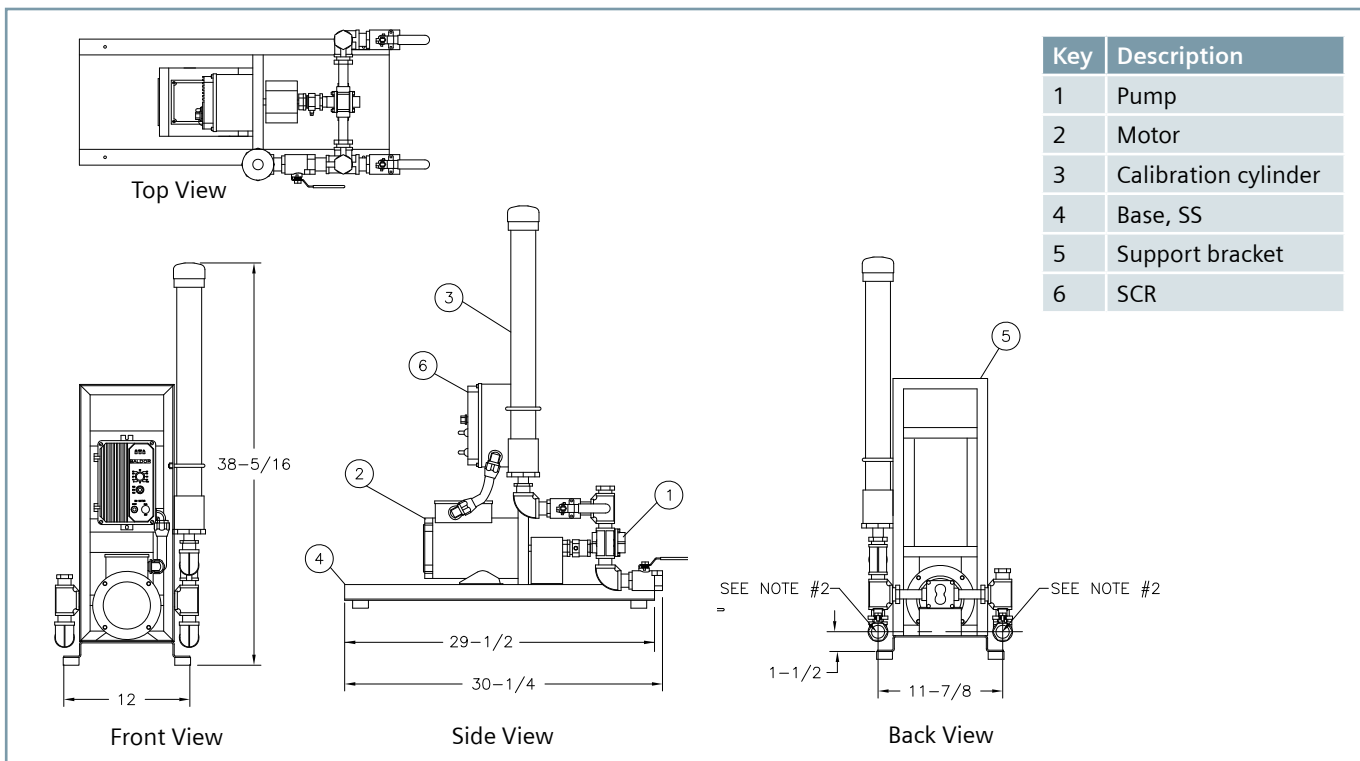
Key Benefits

- High quality gear pump provides accurate and repeatable dosage
- NEMA 4X SCR controllers with 4-20 mA input for remote control
- Durable and resistant stainless steel construction
- Heavy-duty, wash-down duty motor for the harshest environments



Product Sheet

General Layout



Notes:

1. All piping 304 SS, except calibration cylinder
2. Solution inlet and discharge, 25.4 mm (1") (F) NPT

Model	G.5/1000	G1.5/1000	G3/4000	G10/4000	G22/4000
Pump output range	0 - 1.9 lpm (0 to 0.5 gpm)	0.6 - 5.7 lpm (0.15 to 1.5 gpm)	1.1 - 11.4 lpm (0.3 to 3.0 gpm)	3.8 - 37.6 lpm (1.0 to 10.0 gpm)	8.3 - 83.3 lpm (2.2 to 22 gpm)
Motor	.5 HP 90 VDC Washdown Duty	1 HP 90 VDC Washdown Duty	1 HP 90 VDC Washdown Duty	1.5 HP 180 VDC Washdown Duty	2 HP 180 VDC Washdown Duty
Speed controller	NEMA 4X SCR with 4-20 mA input				
Calibration cylinder	1000 mL		4000 mL		
Mounting base	Stainless steel 304.8 x 762 mm (12" x 30")				
Piping	25.4 mm (1") 304 stainless steel suction and discharge with 12.7 mm (1/2) relief bypass system and 25.4 mm (1") isolation valve				
Gear reducer	Zero max adjustable speed reducer		Direct drive		
Power requirement	120 VAC / 60 Hz / 1 Ph			240 VAC / 60 Hz / 1 Ph	

Siemens
Water Technologies

Germany
+49 8221 9040
wtger.water@siemens.com

United Kingdom
+44 1732 771777
wtuk.water@siemens.com

USA
+1 800 809 0971
stranco.water@siemens.com

© 2008 Siemens Water Technologies Corp.
Literature No.: ST.410.235.000.IE.PS.1208
Subject to change without prior notice.

NEMA is a trademark of the National Electrical Manufacturers Association.
Teflon is a trademark of E.I. du Pont de Nemours & Company.

The information provided in this literature contains merely general descriptions or characteristics of performance which in actual case of use do not always apply as described or which may change as a result of further development of the products. An obligation to provide the respective characteristics shall only exist if expressly agreed in the terms of the contract.