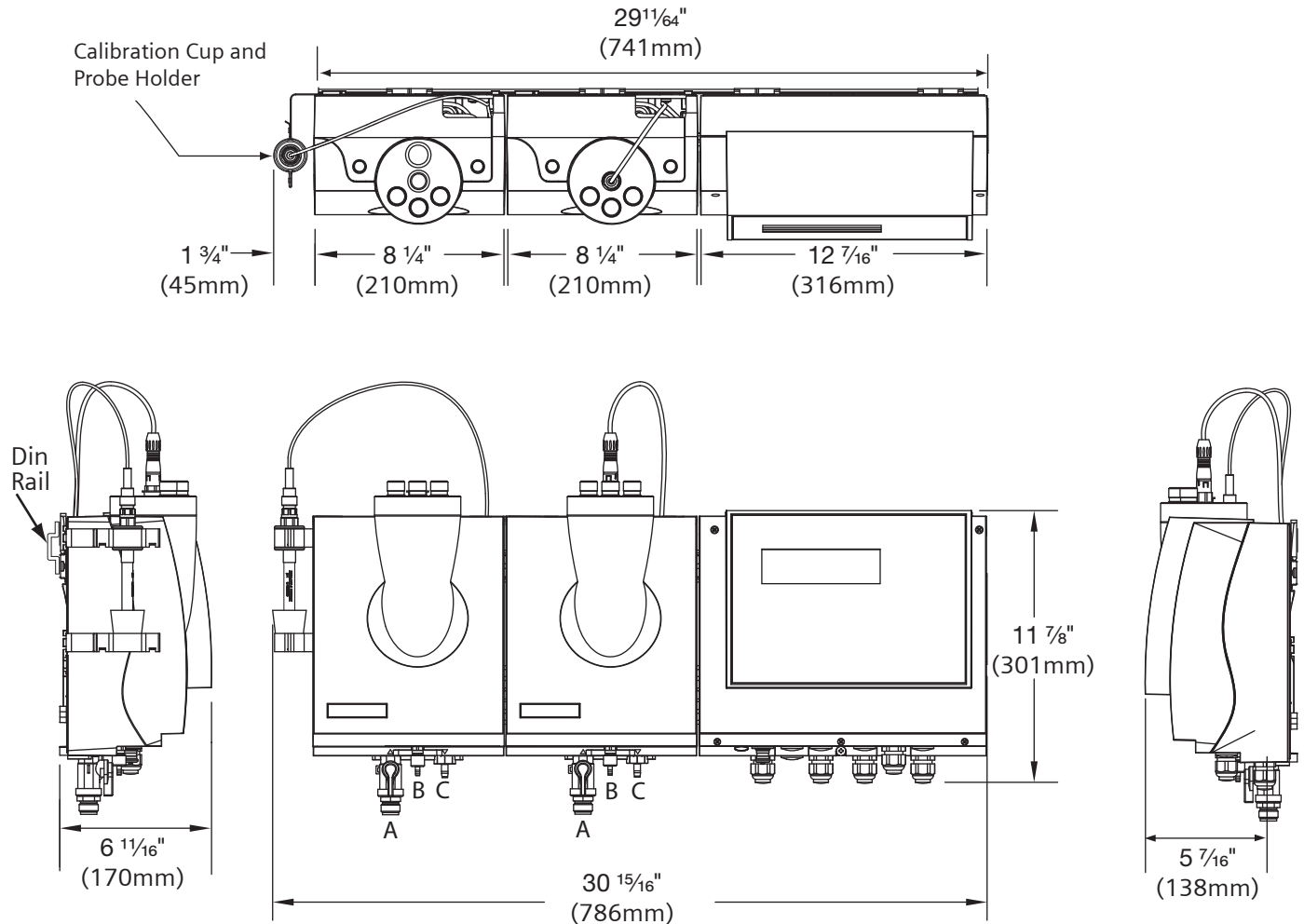


**Wallace & Tiernan® MFC**  
**Multi-Function Controller with Dual Flow Cells\***



- A. Sample Inlet  
1/2" MNPT
- B. Cell Drain  
5mm Hose Barb
- C. Sample Outlet  
6mm Hose Barb

**SIEMENS**

Water Technologies  
 1901 West Garden Road  
 Vineland, NJ 08360  
 856.507.9000 phone  
 856.507.4125 fax

[www.usfilter.com](http://www.usfilter.com)

\*See drawing WT.050.580.110.UA.CN.0706  
 for mounting dimensions.

Dimensions  
 WT.050.580.106.UA.CN.0706