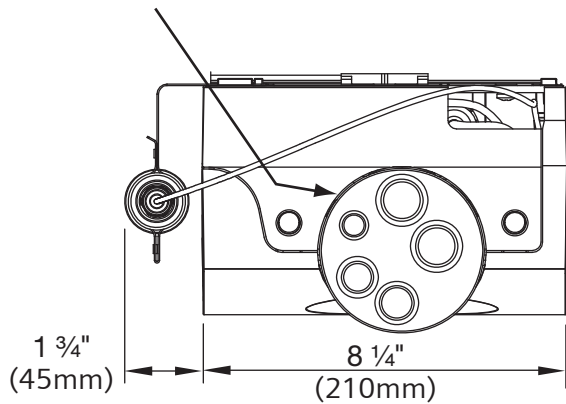
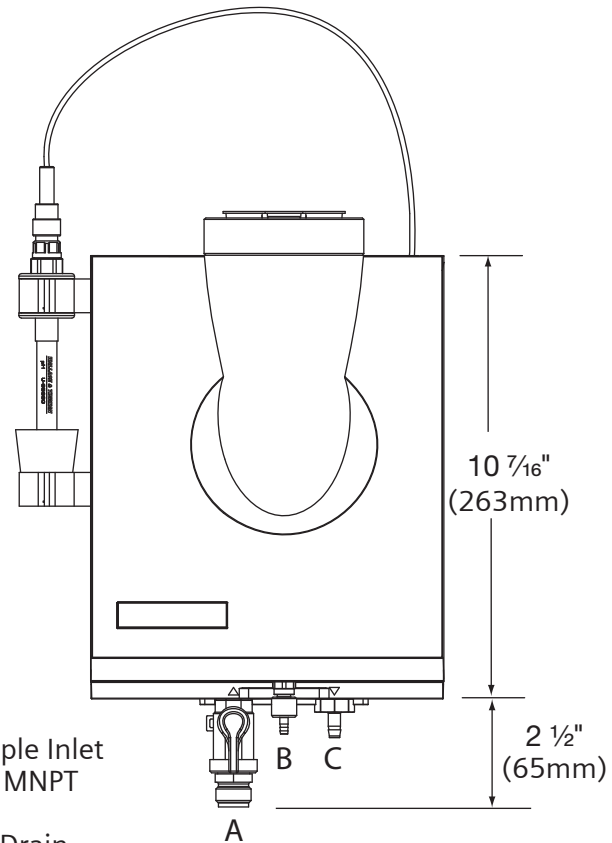
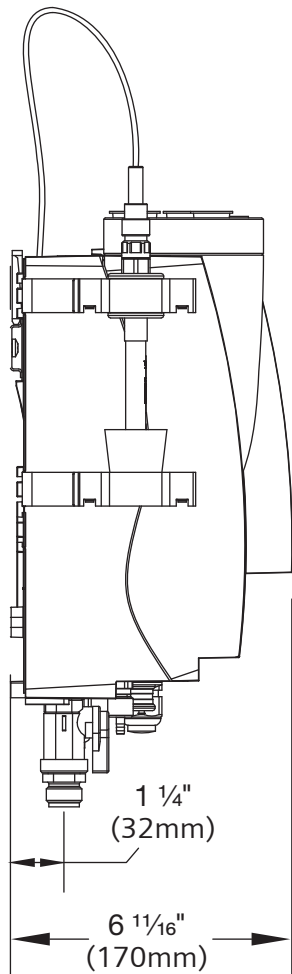
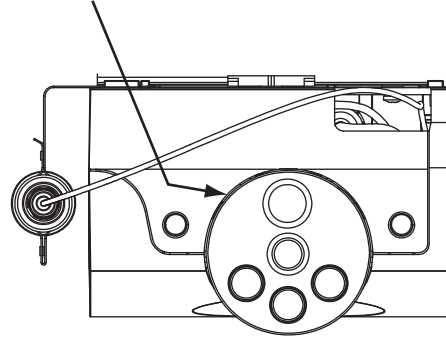


**Wallace & Tiernan®**  
**Depolox® 5 and VariaSens™ Flow Cells**

VariaSens™ Flow Cell Sensor Locations



Depolox®5 Flow Cell Sensor Locations



- A. Sample Inlet  
1/2" MNPT
- B. Cell Drain  
5mm Hose Barb
- C. Sample Outlet  
6mm Hose Barb

**SIEMENS**

Water Technologies  
 1901 West Garden Road  
 Vineland, NJ 08360  
 856.507.9000 phone  
 856.507.4125 fax

[www.usfilter.com](http://www.usfilter.com)

Dimensions  
 WT.050.580.108.UA.CN.0706