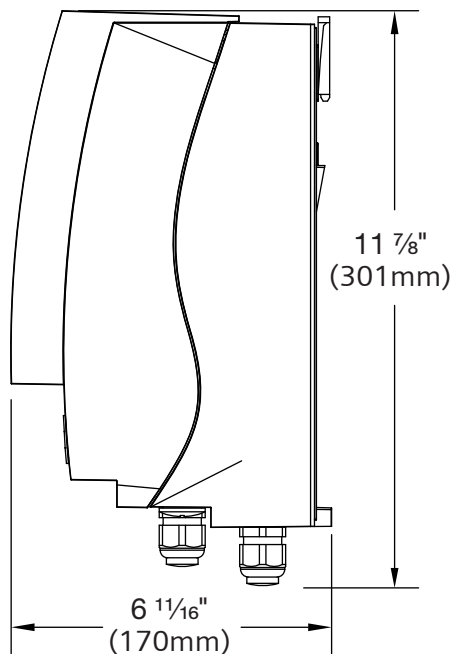
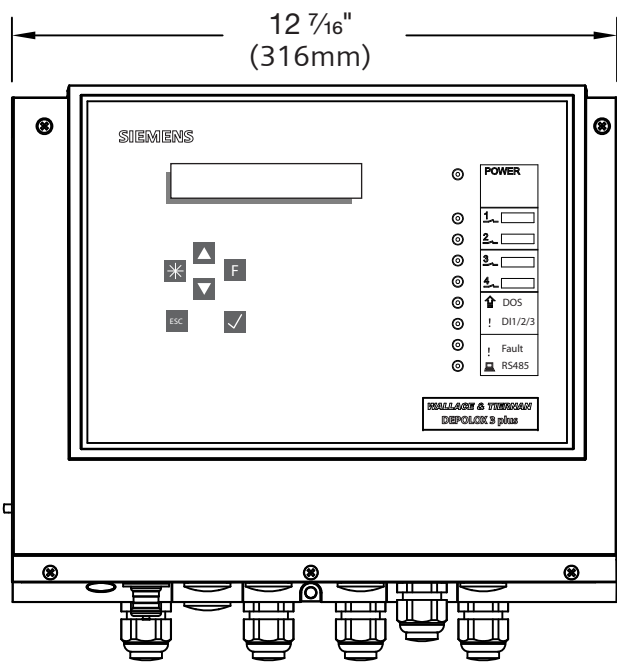
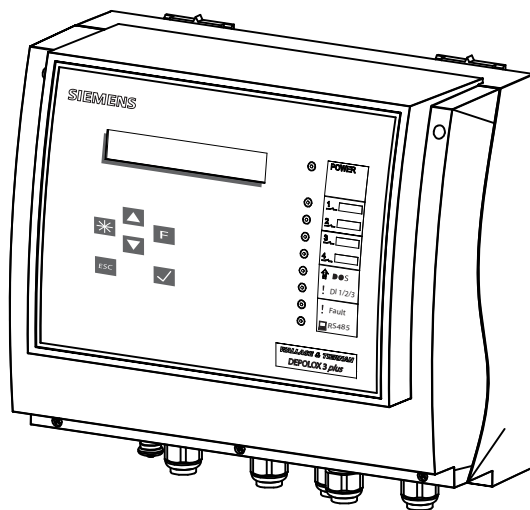
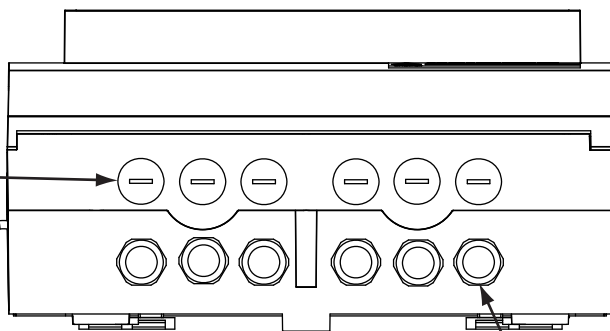


# Wallace & Tiernan Depolox® 3 plus Analyzer Electronics Enclosure



Knockouts ( 6 Plcs)  
1" Dia. (22mm)



Sensor Cable Gland (6)  
(1 per sensor)

# SIEMENS

Water Technologies  
1901 West Garden Road  
Vineland, NJ 08360  
856.507.9000 phone  
856.507.4125 fax

[www.siemens.com/water](http://www.siemens.com/water)

Dimensions  
WT.050.560.100.UA.CN.0507