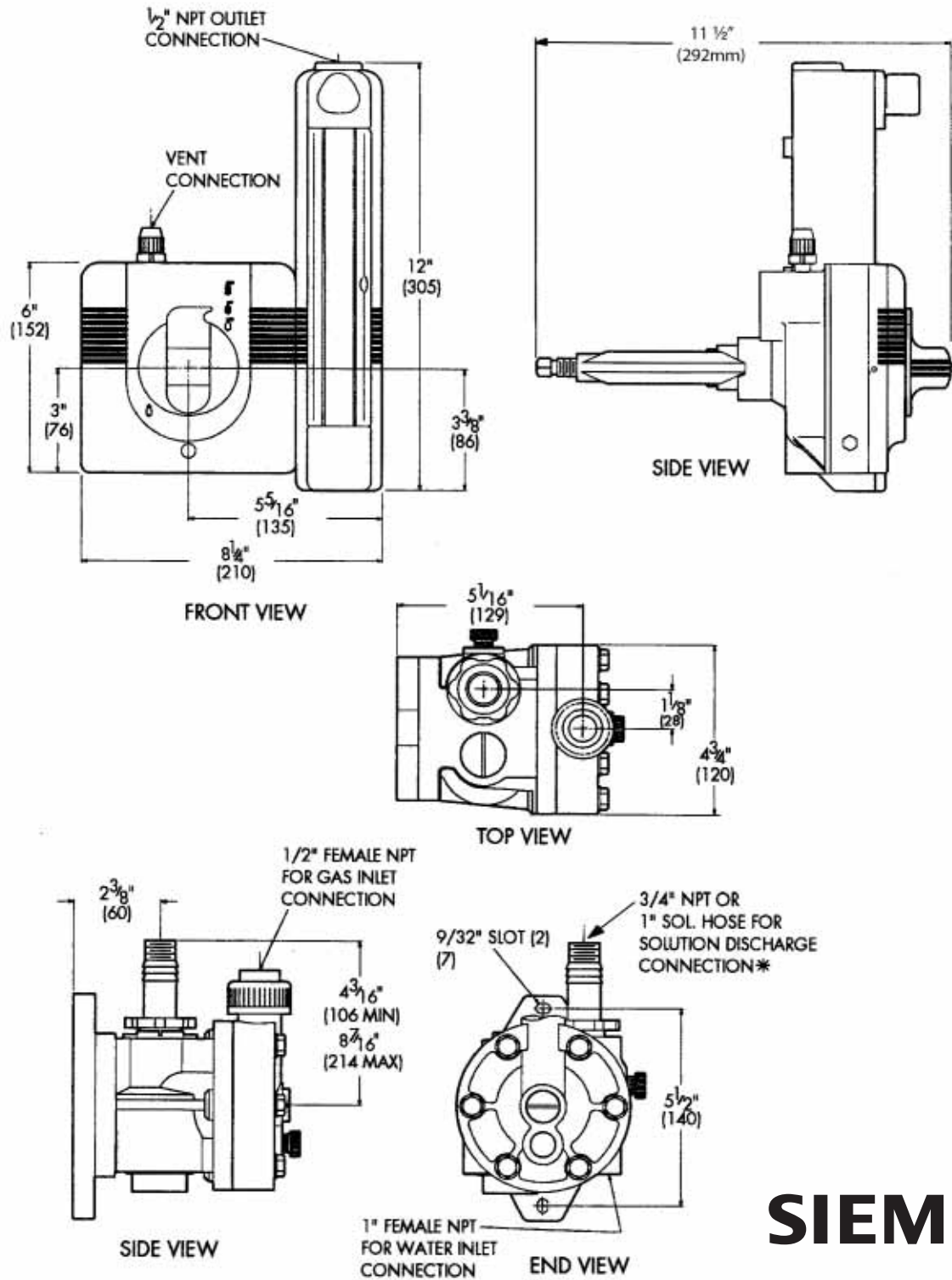


E10k Chlorinator

500 PPD with Chlorine Institute Yoke



NOTE: * WHEN USING RIGID PIPE FOR THE SOLUTION LINE, ELBOWS WITHIN 8" OF THE DISCHARGE CONNECTION MAY SERIOUSLY IMPAIR INJECTOR PERFORMANCE.

SIEMENS

Water Technologies
 1901 West Garden Road
 Vineland, NJ 08360
 856.507.9000 phone
 856.507.4125 fax

www.siemens.com/water

Dimensions
 WT.025.300.104.UA.CN.0807