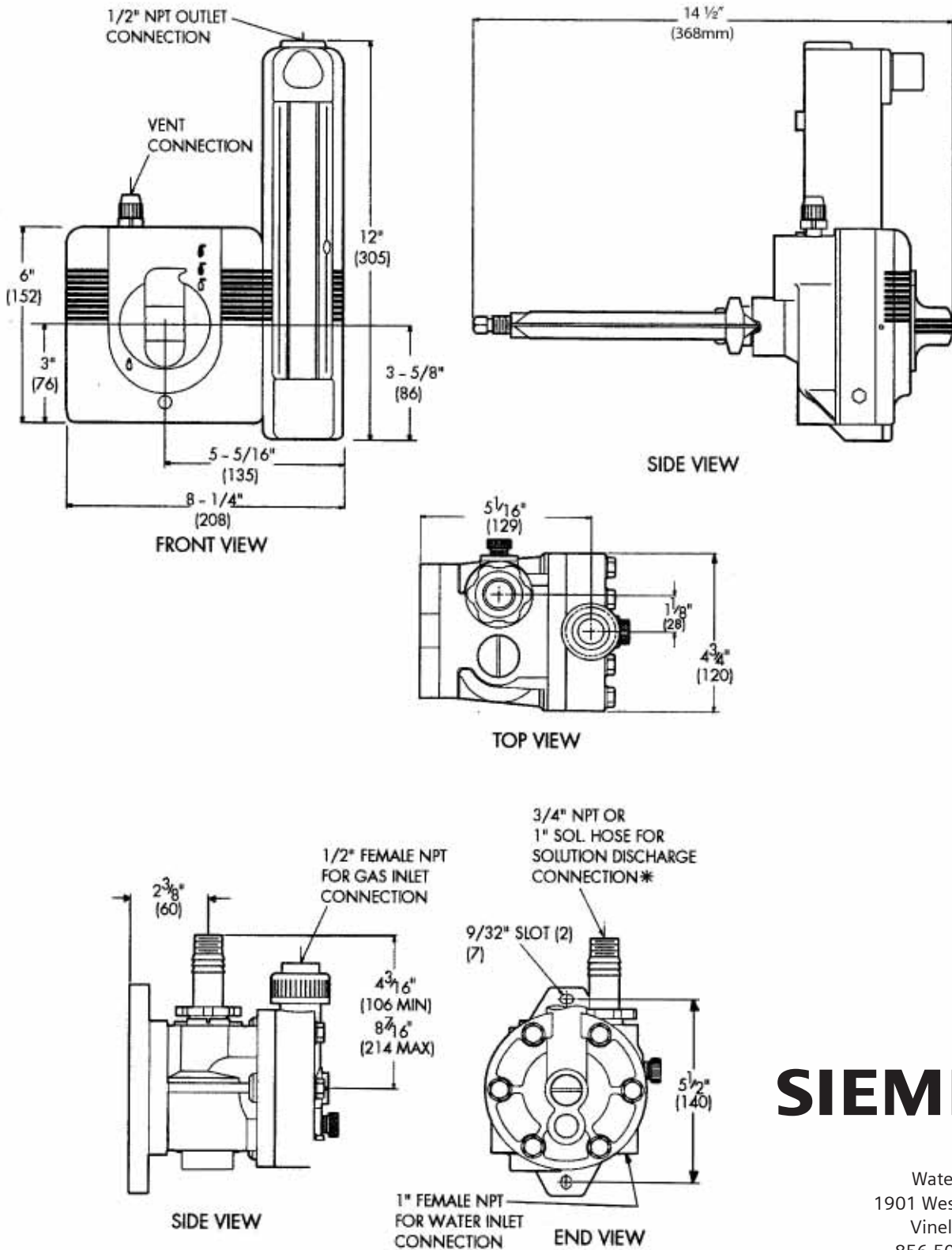


E10k Chlorinator

500 PPD with Universal Yoke Adapter



NOTE: * WHEN USING RIGID PIPE FOR THE SOLUTION LINE, ELBOWS WITHIN 8° OF THE DISCHARGE CONNECTION MAY SERIOUSLY IMPAIR INJECTOR PERFORMANCE.

SIEMENS

Water Technologies
 1901 West Garden Road
 Vineland, NJ 08360
 856.507.9000 phone
 856.507.4125 fax

www.siemens.com/water

Dimensions
 WT.025.300.106.UA.CN.0807